



ASTIM
Manufacturing &
Installation

Sewage Acceptance Plant - SAP



Mechanical Treatment for Septic Sludge from Sewage Trucks

- Fine Screening with Internally Fed Rotating Drum Screen
- Screenings Treatment with Conveying, Compacting & Washing Unit

Function of Sewage Acceptance Plant SAP

Septic sludge is delivered to treatment plants by sewage trucks. Solid content must be separated from the septic sludge before it is discharged into the treatment plant. It is necessary to clean the sludge in order to keep the load for the treatment plant as low as possible during discharge of the septic sludge.

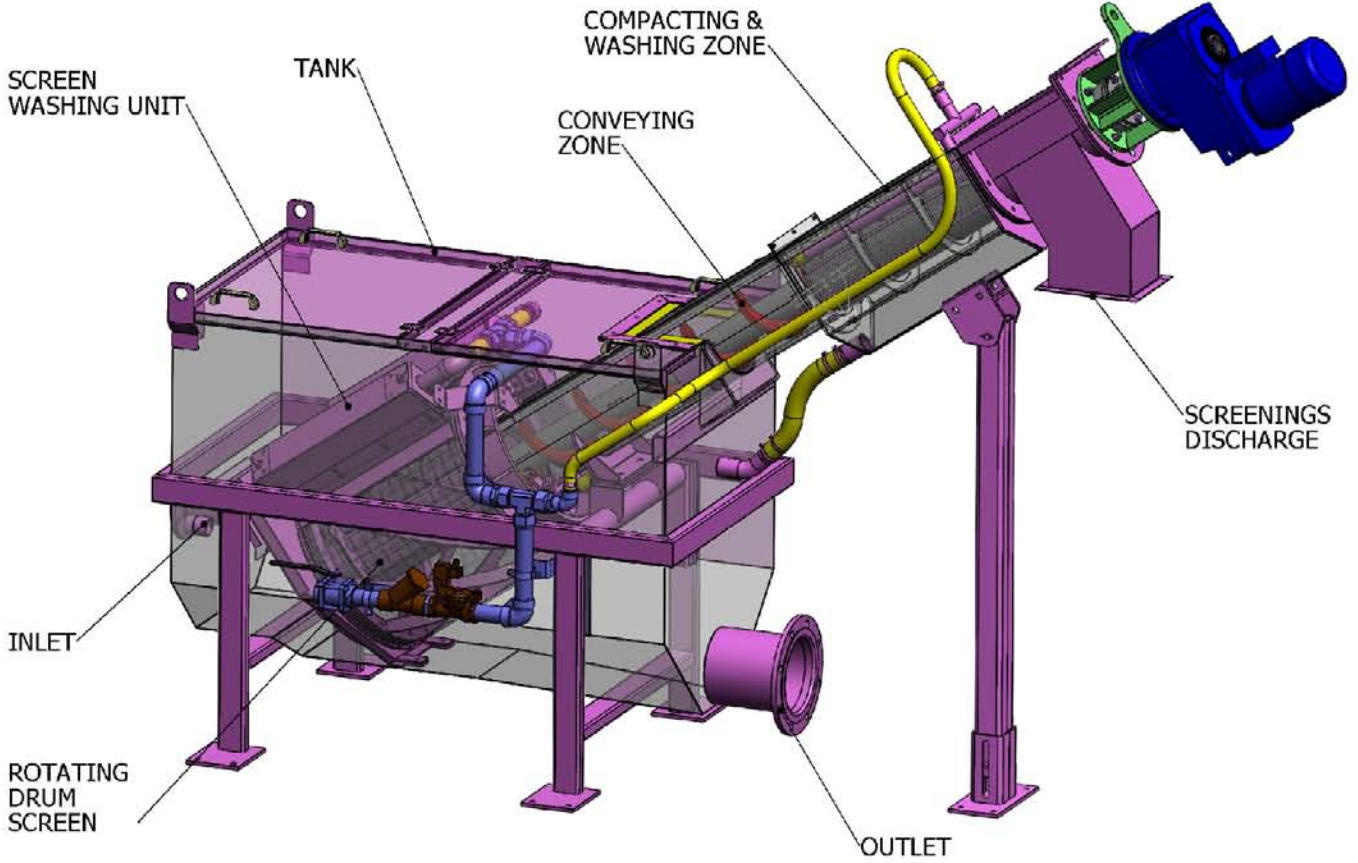
SAP is used for mechanical treatment of septic sludge received from sewage trucks. After mechanical treatment, the sludge is directly discharged into the digester or into the inlet channel of the treatment plant.

The truck discharge is connected to the inlet flange of SAP. As sludge flows into the tank and through the rotating drum screen. All solids are kept by this screen and transported by the conveying system. Screenings press zone at the end of this conveyer dewateres the screenings in order to reduce the weight and volume. In addition, the screenings are washed and the press water flows back into the channel.

The whole cleaning process takes place in a closed system avoiding odor annoyance outside.

Advantages of SAP

- High capacity to achieve short discharge periods for the trucks
- High removal efficiency to obtain completely clean sludge
- Automatic operation to minimize labor costs
- Complete odor encasement to avoid annoyance outside
- Integrated screenings press to reduce weight and volume of the screenings
- Resistance against grit and stones to assure perfect operation



ASTİM Endüstri Tesisleri İmalat Montaj ve Taahhüt A.Ş.

Dilovaşı O.S.B. 4. Kısım Ceyhan Cad. No:10 Tavşanlı Köyü
Gebze / KOCAELI TURKEY

Tel : 90 262 724 85 50 Fax: 90 262 724 85 49

astim@astim.web.tr www.astim.web.tr

